

User Manual for Skim Universal

Technical Features - Band width 60 mm – Please note there are both bands for warm baths (max. 90°C) and cold baths (max. 50°C)

Power Supply: 230 VAC · 50 Hz · 6W/24VAC
 Capacity: Max. 6 litres/oil pr. hour
 Max temp.: 90°C / 194°F (bath temperature)
 Dimensions & weight: 110 x 180 x 85 mm · 1,15 kg.
 Band lengths (mm.): 400 – 2000 mm (100 mm interval). For special band length requests, please contact your distributor.

Thank you for purchasing this oil skimmer. Skim Universal is a quality product made in electro polished stainless steel. Unpack the oil skimmer and make sure that the length of the band is as you have ordered. Place the oil skimmer house on the top of the reservoir from which you want to remove the surface oils. If there is not an opening in the top then carve a square hole (approx. 85 x85 mm.) Fit the band on the pulling roll and look at the overlap on the band. This overlap must run easy over the pipe scraper and the oil skimmer is running clockwise seen from the end of the pipe (like the drawing on the right).

Place the heavyweight roll in the band and carefully place the skimmer until it stands on the top of the reservoir. Fasten the skimmer at the two Ø5mm holes on the back to the top of the reservoir. Now connect the pipe end with a soft hose (Ø25mm= 1") to an extern container or a tray, where you can collect the surface oils. Connect the adaptor and switch on. Are there any surface oils in the reservoir it will soon be removed. You can let the oil skimmer run continuously for years, but one or two hours every night will normally do the job. This of course depends on the amount of oil there is in the reservoir and of the chemical composition, but you will very easy find what is best in your case. If you need to have the oil skimmer running for some hours you can use an electrical switch-on/off watch. It is very easy to inspect the pipe and the band on this oil skimmer. Check the band every half year or for every 2000 running hours. If the band is frayed on edge or worn out, you must change it. Please look in the spare parts list for the correct number before ordering.

It's our hope you will be satisfied with your new oil skimmer, but should any problems occur, do not hesitate to call your distributor or the factory.



Band (total length)

400 mm
500 mm
600 mm
700 mm
800 mm
900 mm
1000 mm
1100 mm
1200 mm
1300 mm
1400 mm
1500 mm
1600 mm
1700 mm
1800 mm
1900 mm
2000 mm

Item no.

Cold baths (max. 50°C)

60M 400C
60M 500C
60M 600C
60M 700C
60M 800C
60M 900C
60M 1000C
60M 1100C
60M 1200C
60M 1300C
60M 1400C
60M 1500C
60M 1600C
60M 1700C
60M 1800C
60M 1900C
60M 2000C

Item no.

Warm baths (max. 90°C)

60M 400W
60M 500W
60M 600W
60M 700W
60M 800W
60M 900W
60M 1000W
60M 1100W
60M 1200W
60M 1300W
60M 1400W
60M 1500W
60M 1600W
60M 1700W
60M 1800W
60M 1900W
60M 2000W

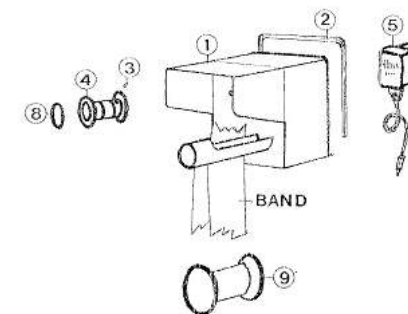
For other band lengths, please contact your distributor or the factory

Spare part

Skimmer house complete (1)
Buffer (2)
Lock screw (3)
Pulling roll* (4)
Plug-in adaptor (5)
Rubber rings (8)
Heavy bottom roll (9)

Item no.

3901
3902
3903
3904
3905
3908
3909



* Can only be replaced at the factory.

Declaration of conformity / CE Declaration.

We, **SSR-TRADE**, Sundparken 7, DK-3600 Frederikssund, declare under our sole responsibility that this products:

Oil Skimmer Skim Universal

to which this declaration relates is in conformity with the following standards:

EN 292-1:91, EN 292-2:91 & EN 60742:88

following the provisions of **89/392/EEC & 73/23/EEC** directives.

This oil skimmer is CE certified

Warning!

Never use the Oil Skimmer in explosive environments