

User Manual for Skim Stationary

Technical Features (Band width 60 mm)

Power Supply:	230 VAC · 50 Hz · 6W/24VAC
Capacity:	Max. 5 litres/oil pr. hour
Max temp.:	80°C / 176°F (bath temperature)
Dimensions & weight:	110 x 230 x 85 mm · 1,3 kg.
Band lengths (mm.):	400 – 2000 mm (100 mm interval). Special requests for bands can of course be made.

Thank you for purchasing this oil skimmer. Skim Stationary is a quality product made in electro polished stainless steel. Unpack the oil skimmer and make sure that the length of the band is as you have ordered. Place the oil skimmer house on the top of the reservoir from which you want to remove the surface oils. If there is not an opening in the top then carve a hole (approx. 80 x 80 mm.) Fit the band on the pulling roll and look at the overlap on the band. This overlap must run easy over the pipe scraper and the oil skimmer is running clockwise seen from the end of the pipe (like the drawing on the right).

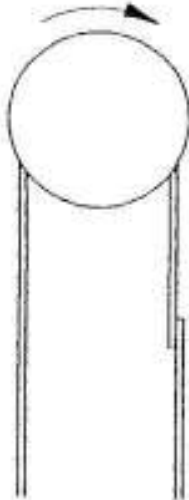
Place the heavyweight roll in the band and carefully place the skimmer until it stands on the top of the reservoir.

If the desired height is not obtained, you can either place the skimmer higher by fitting a longer stand (M4 thread) or order a longer band – either standard length or special length exactly suited for your needs.

Now connect the pipe end with a soft hose (Ø25mm= 1") to an extern container or a tray, where you can collect the surface oils. Connect the adaptor and switch on. Is there any surface oils in the reservoir it will soon be removed. You can let the oil skimmer run continuously for years, but one or two hours every night will normally be enough. This of course depends on the amount of oil there is in the reservoir and of the chemical composition, but you will very easy find what is best in your case.

It is very easy to inspect the pipe and the band on this oil skimmer. Check the band every half year or for every 2000 running hours. If the band is frayed on the edge or worn out, you must change it. Please look in the spare parts list for the correct number before ordering.

It's our hope you will be satisfied with your new oil skimmer, but should any problems occur, do not hesitate to call your distributor or the factory.

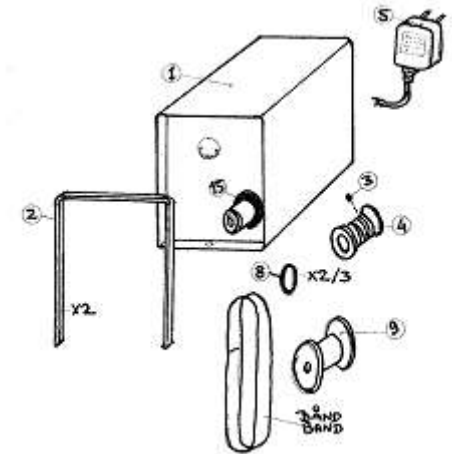


Band (total length)

400 mm
500 mm
600 mm
700 mm
800 mm
900 mm
1000 mm
1100 mm
1200 mm
1300 mm
1400 mm
1500 mm
1600 mm
1700 mm
1800 mm
1900 mm
2000 mm

Item no.

60M 400
60M 500
60M 600
60M 700
60M 800
60M 900
60M 1000
60M 1100
60M 1200
60M 1300
60M 1400
60M 1500
60M 1600
60M 1700
60M 1800
60M 1900
60M 2000



For other band lengths, please contact your distributor or the factory

Spare part

Spare part	Item no.
Skimmer house complete (1)	2801
Buffer (2)	2802
Lock screw (3)	2803
Pulling roll* (4)	2804
Plug-in adaptor (5)	2805
Rubber rings (8)	2808
Heavy bottom roll (9)	2809
Rubber Cover (15)	2815

* Can only be replaced at the factory.

Declaration of conformity / CE Declaration.

We, **SSR-TRADE**, Sundparken 7, DK-3600 Frederikssund, declare under our sole responsibility that this products:

Oil Skimmer Skim Stationary

to which this declaration relates is in conformity with the following standards:

EN 292-1:91, EN 292-2:91 & EN 60742:88

following the provisions of **89/392/EEC & 73/23/EEC** directives.

This oil skimmer is CE certified

Warning!

Never use the Oil Skimmer in explosive environments