

## User Manual for Skim Stationary Deluxe

### Technical Features (Band width 80 mm)

Power Supply:	230 VAC · 50 Hz · 6W/24VAC
Capacity:	Max. 7 litres/oil pr. hour
Max temp.:	80°C / 176°F (bath temperature)
Dimensions & weight:	110 x 230 x 85 mm · 1,3 kg.
Band lengths (mm.):	400 – 2000 mm (100 mm interval). Special requests for bands can of course be made.

Thank you for purchasing this oil skimmer. Skim Stationary Deluxe is a quality product made in electro polished stainless steel. Unpack the oil skimmer and make sure that the length of the band is as you have ordered. Place the oil skimmer house on the top of the reservoir from which you want to remove the surface oils. If there is not an opening in the top then carve a hole (approx. 100 x 80 mm.) Fit the band on the pulling roll and look at the overlap on the band. This overlap must run easy over the pipe scraper and the oil skimmer is running clockwise seen from the end of the pipe (like the drawing on the right).

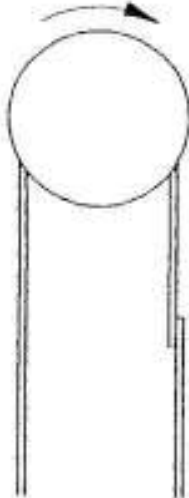
Place the heavyweight roll in the band and carefully place the skimmer until it stands on the top of the reservoir.

If the desired height is not obtained, you can either place the skimmer higher by fitting a longer stand (M4 thread) or order a longer band – either standard length or special length exactly suited for your needs.

Now connect the pipe end with a soft hose (Ø25mm= 1") to an extern container or a tray, where you can collect the surface oils. Connect the adaptor and switch on. Is there any surface oils in the reservoir it will soon be removed. You can let the oil skimmer run continuously for years, but one or two hours every night will normally be enough. This of course depends on the amount of oil there is in the reservoir and of the chemical composition, but you will very easy find what is best in your case.

It is very easy to inspect the pipe and the band on this oil skimmer. Check the band every half year or for every 2000 running hours. If the band is frayed on the edge or worn out, you must change it. Please look in the spare parts list for the correct number before ordering.

It's our hope you will be satisfied with your new oil skimmer, but should any problems occur, do not hesitate to call your distributor or the factory.

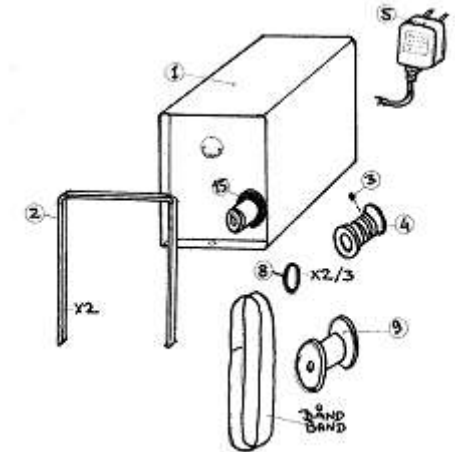


### Band (total length)

400 mm  
500 mm  
600 mm  
700 mm  
800 mm  
900 mm  
1000 mm  
1100 mm  
1200 mm  
1300 mm  
1400 mm  
1500 mm  
1600 mm  
1700 mm  
1800 mm  
1900 mm  
2000 mm

### Item no.

80M 400  
80M 500  
80M 600  
80M 700  
80M 800  
80M 900  
80M 1000  
80M 1100  
80M 1200  
80M 1300  
80M 1400  
80M 1500  
80M 1600  
80M 1700  
80M 1800  
80M 1900  
80M 2000



For other band lengths, please contact your distributor or the factory

### Spare part

Spare part	Item no.
Skimmer house complete (1)	3501
Buffer (2)	3502
Lock screw (3)	3503
Pulling roll* (4)	3504
Plug-in adaptor (5)	3505
Rubber rings (8)	3508
Heavy bottom roll (9)	3509
Rubber Cover (15)	3515

\* Can only be replaced at the factory.

### Declaration of conformity / CE Declaration.

We, **SSR-TRADE**, Sundparken 7, DK-3600 Frederikssund, declare under our sole responsibility that this products:

### Oil Skimmer Skim Stationary Deluxe

to which this declaration relates is in conformity with the following standards:

**EN 292-1:91, EN 292-2:91 & EN 60742:88**

following the provisions of **89/392/EEC & 73/23/EEC** directives.

This oil skimmer is CE certified

### Warning!

Never use the Oil Skimmer in explosive environments