

User Manual for Skim Mini Stationary

Technical Features (Band width 30 mm)

Power Supply:	230 VAC · 50 Hz · 4W/24VAC
Capacity:	Max. 3,2 litres/oil pr. hour
Max temp.:	50°C / 122°F (bath temperature)
Dimensions & weight:	90 x 150 x 70 mm · 0,7 kg.
Band lengths (mm.):	400 – 2000 mm (100 mm interval). Special requests for bands can of course be made.

Thank you for purchasing this oil skimmer. Skim Mini Stationary is a quality product made in electro polished stainless steel. Unpack the oil skimmer and make sure that the length of the band is as you have ordered. Place the oil skimmer house on the top of the reservoir from which you want to remove the surface oils. If there is not an opening in the top then carve a hole (approx. 50 x50 mm.) Fit the band on the pulling roll and look at the overlap on the band. This overlap must run easy over the pipe scraper and the oil skimmer is running clockwise seen from the end of the pipe (like the drawing on the right).

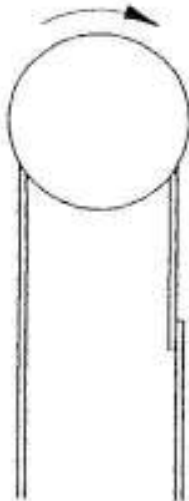
Place the heavyweight roll in the band and carefully place the skimmer until it stands on the top of the reservoir.

If the desired height is not obtained, you can either place the skimmer higher by fitting a longer stand (M4 thread) or order a longer band – either standard length or special length exactly suited for your needs.

Now connect the pipe end with a soft hose (Ø25mm= 1”) to an extern container or a tray, where you can collect the surface oils. Connect the adaptor and switch on. Is there any surface oils in the reservoir it will soon be removed. You can let the oil skimmer run continuously for years, but one or two hours every night will normally be enough. This of course depends on the amount of oil there is in the reservoir and of the chemical composition, but you will very easy find what is best in your case.

It is very easy to inspect the pipe and the band on this oil skimmer. Check the band every half year or for every 2000 running hours. If the band is frayed on the edge or worn out, you must change it. Please look in the spare parts list for the correct number before ordering.

It's our hope you will be satisfied with your new oil skimmer, but should any problems occur, do not hesitate to call your distributor or the factory.

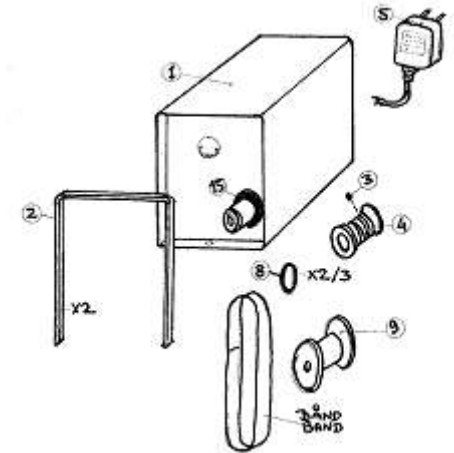


Band (total length)	Item no.
400 mm	30M 400
500 mm	30M 500
600 mm	30M 600
700 mm	30M 700
800 mm	30M 800
900 mm	30M 900
1000 mm	30M 1000
1100 mm	30M 1100
1200 mm	30M 1200
1300 mm	30M 1300
1400 mm	30M 1400
1500 mm	30M 1500
1600 mm	30M 1600
1700 mm	30M 1700
1800 mm	30M 1800
1900 mm	30M 1900
2000 mm	30M 2000

For other band lengths, please contact your distributor or the factory

Spare part	Item no.
Skimmer house complete (1)	3301
Buffer (2)	3302
Lock screw (3)	3303
Pulling roll* (4)	3304
Plug-in adaptor (5)	3305
Rubber rings (8)	3308
Heavy bottom roll (9)	3309
Rubber Cover (15)	n/a

* Can only be replaced at the factory.



Declaration of conformity / CE Declaration.

We, **SSR-TRADE**, Sundparken 7, DK-3600 Frederikssund, declare under our sole responsibility that this products:

Oil Skimmer Skim Mini Stationary

to which this declaration relates is in conformity with the following standards:

EN 292-1:91, EN 292-2:91 & EN 60742:88

following the provisions of **89/392/EEC & 73/23/EEC** directives.

This oil skimmer is CE certified

Warning!

Never use the Oil Skimmer in explosive environments