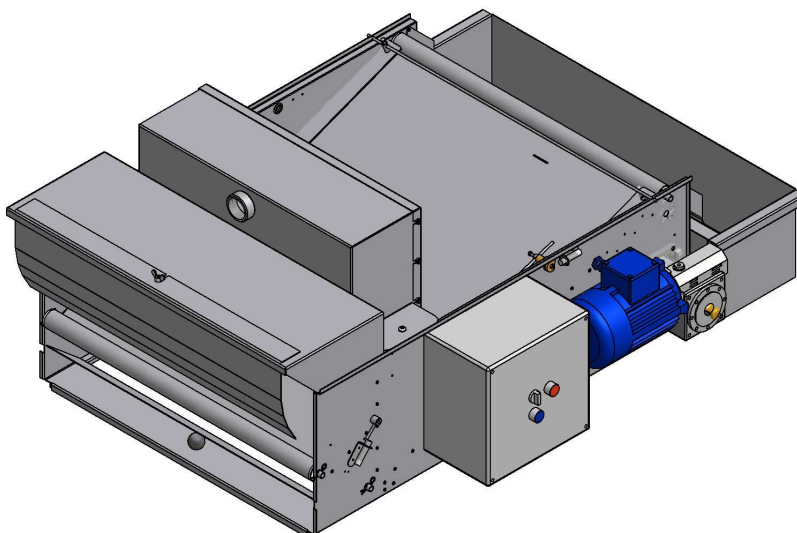
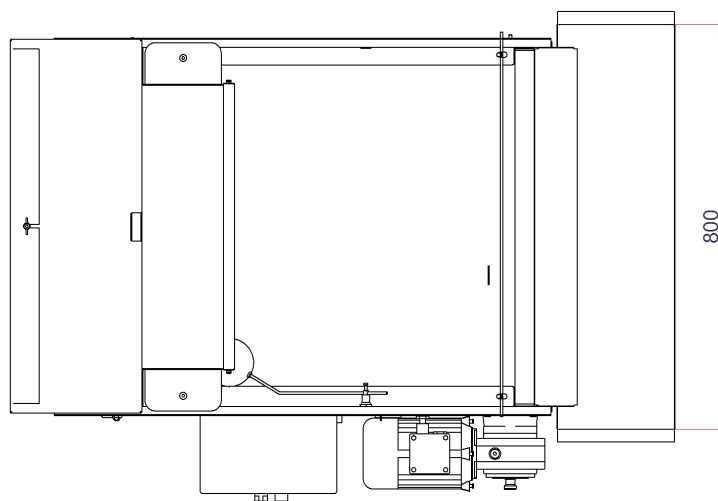
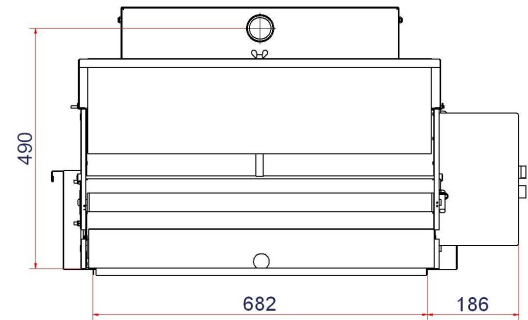
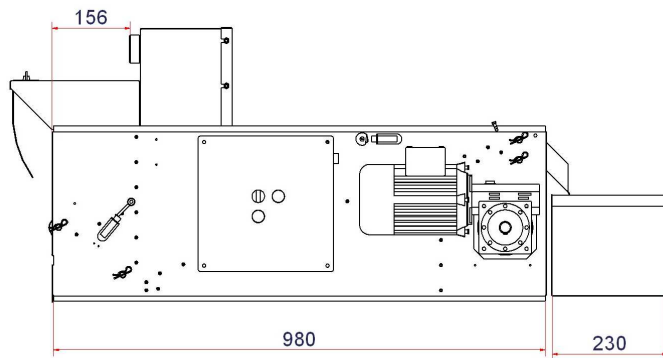


# Conveyor Filter UNIFIL 700

**SSR TRADE**  
High quality, low costs



Power supply	3 x 400 VAC, 50 Hz		
Control voltage	24 VAC, 50 Hz		
Standard controls	3-point contact for automatic-0-manual operation Reset of gear motor Indicator for paper 24 Volt outlet		
Receptacle	Included		
Inlet types	Top inlet (standard) Side inlet		
Conveyor filter	Weight [kg]	Capacity [l/min]*	Capacity [l/min]**
UNIFIL 700	90	250	150

\* The capacity measurement was performed with a P60 filter cloth and a fluid with a viscosity of 1 cSt. At 20 °C.

\*\* The capacity measurement was performed with a P60 filter cloth and a fluid with a viscosity of 12 cSt. At 20 °C.

**SSR TRADE**  
Sundparken 7  
DK-3600 Frederikssund  
Denmark  
Tel. +45 29922965  
Fax +45 47316610  
[www.ssr-trade.com](http://www.ssr-trade.com)  
[info@ssr-trade.com](mailto:info@ssr-trade.com)