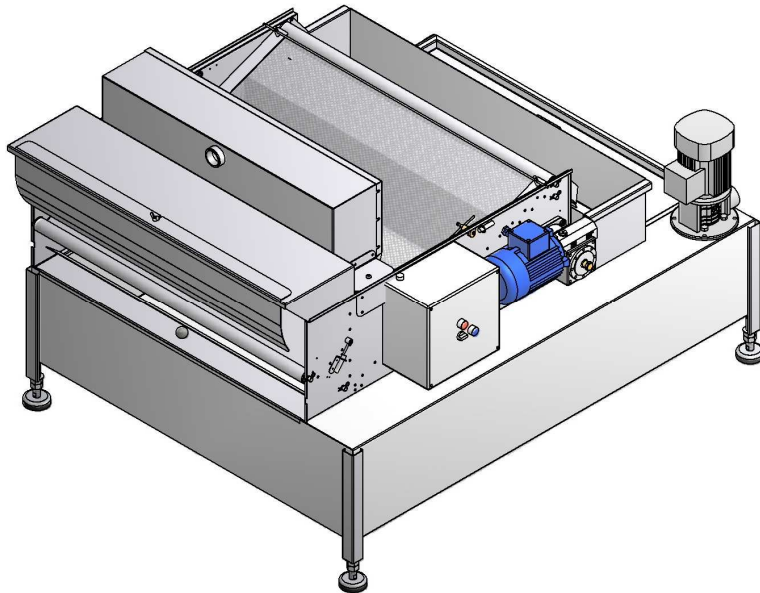
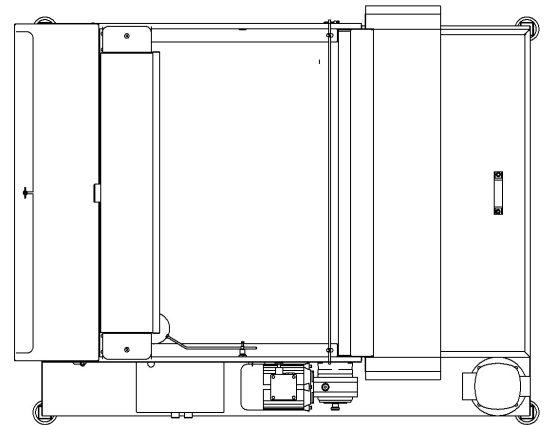
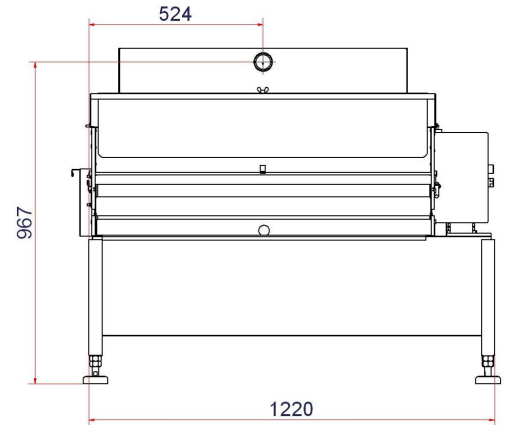
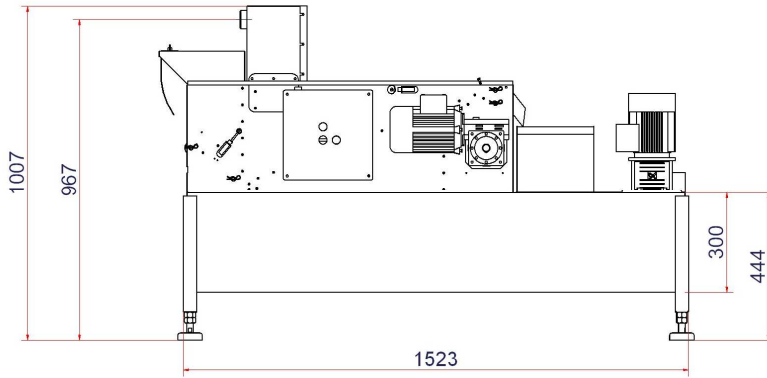


Conveyor Filter UNIFIL 1000 with tank



Technical data: conveyor filter

| | | | |
|-----------------------|------------------------------------------------------------------------------------------------------------------|-------------------|--------------------|
| Power supply | 3 x 400 VAC, 50 Hz | | |
| Control voltage | 24 VAC, 50 Hz | | |
| Standard controls | 3-point contact for automatic-0-manual operation Reset of gear motor Indicator for paper 24 Volt outlet | | |
| Receptacle | Included | | |
| Inlet types | Top inlet (standard) Side inlet | | |
| Conveyor filter | Weight [kg] | Capacity [l/min]* | Capacity [l/min]** |
| UNIFIL 1000 with tank | | 400 | 250 |
| Tankvolume | 540 litre brutto | | |

* The capacity measurement was performed with a P60 filter cloth and a fluid viscosity of 1 cSt. At 20 °C.

** The capacity measurement was performed with a P60 filter cloth and a fluid with a viscosity of 12 cSt. At 20 °C.

SSR TRADE
Sundparken 7
DK-3600 Frederikssund
Denmark
Tel. +45 29922965
Fax +45 47316610
www.ssr-trade.com
info@ssr-trade.com